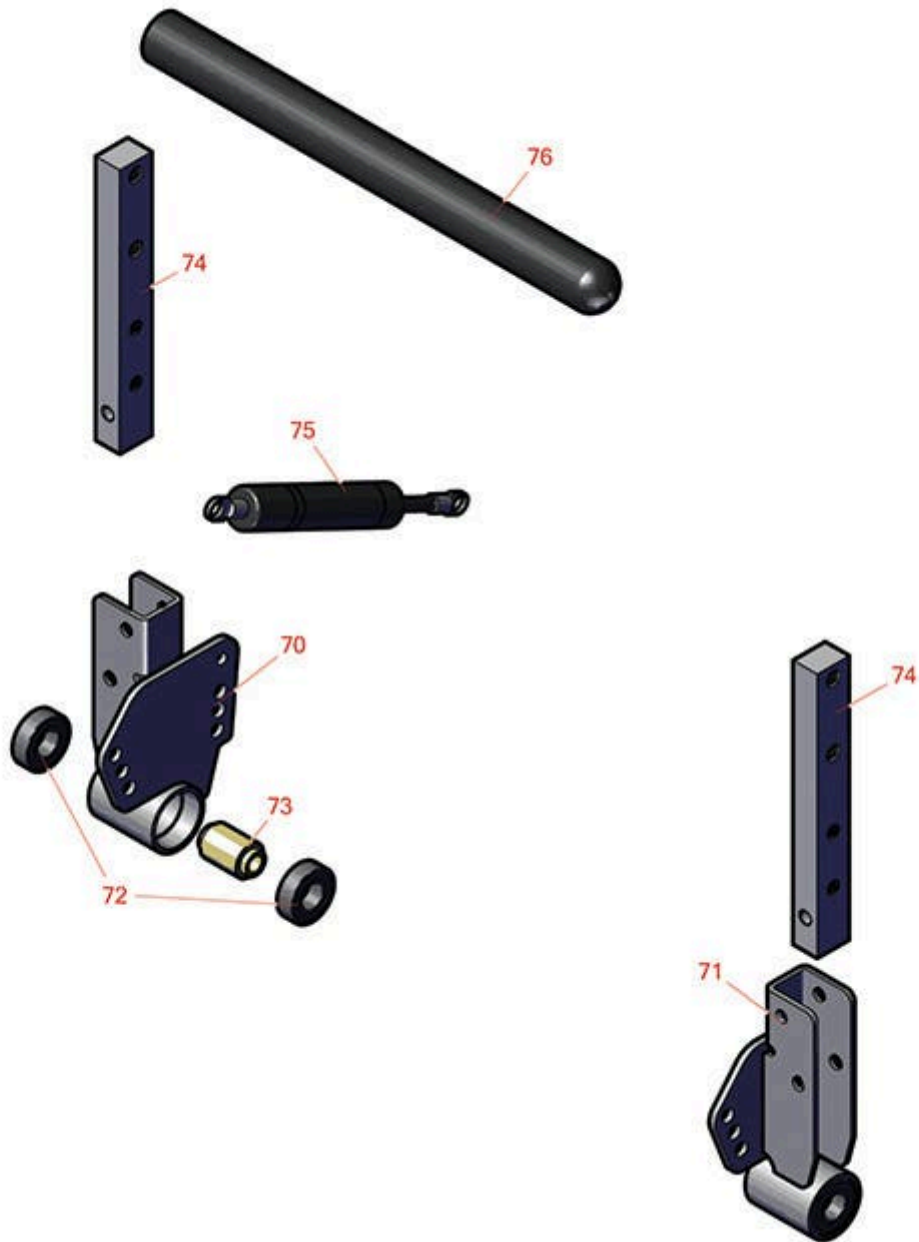




Replaces Scag STCII - Tiger Cat II Parts

48in Zero-Turn Mower
Steering Column



All original equipment manufacturers names and part numbers are used for identification purposes only, and we are in no way implying that our products are original equipment parts. Prices subject to change without notice.



Replaces Scag STCII - Tiger Cat II Parts

48in Zero-Turn Mower
Steering Column



Item No	R&R Part No.	OEM Part No.	Description	Qty Req	Order Quantity
70	RZS452731	452731	Pivot Weldment - Control Arm RH	1	
71	RZS452730	452730	Pivot Weldment - Control Arm LH	1	
72	RZS48224	48224	Bearing	4	
73	RZS43600	43600	Spacer - Bearing	2	
74	RZS422372		Bar - Control Lever	2	
75	RZS484151	484151	Dampener	2	
76	RZS484376	484376	Grip - Control Handle	2	

All original equipment manufacturers names and part numbers are used for identification purposes only, and we are in no way implying that our products are original equipment parts. Prices subject to change without notice.