

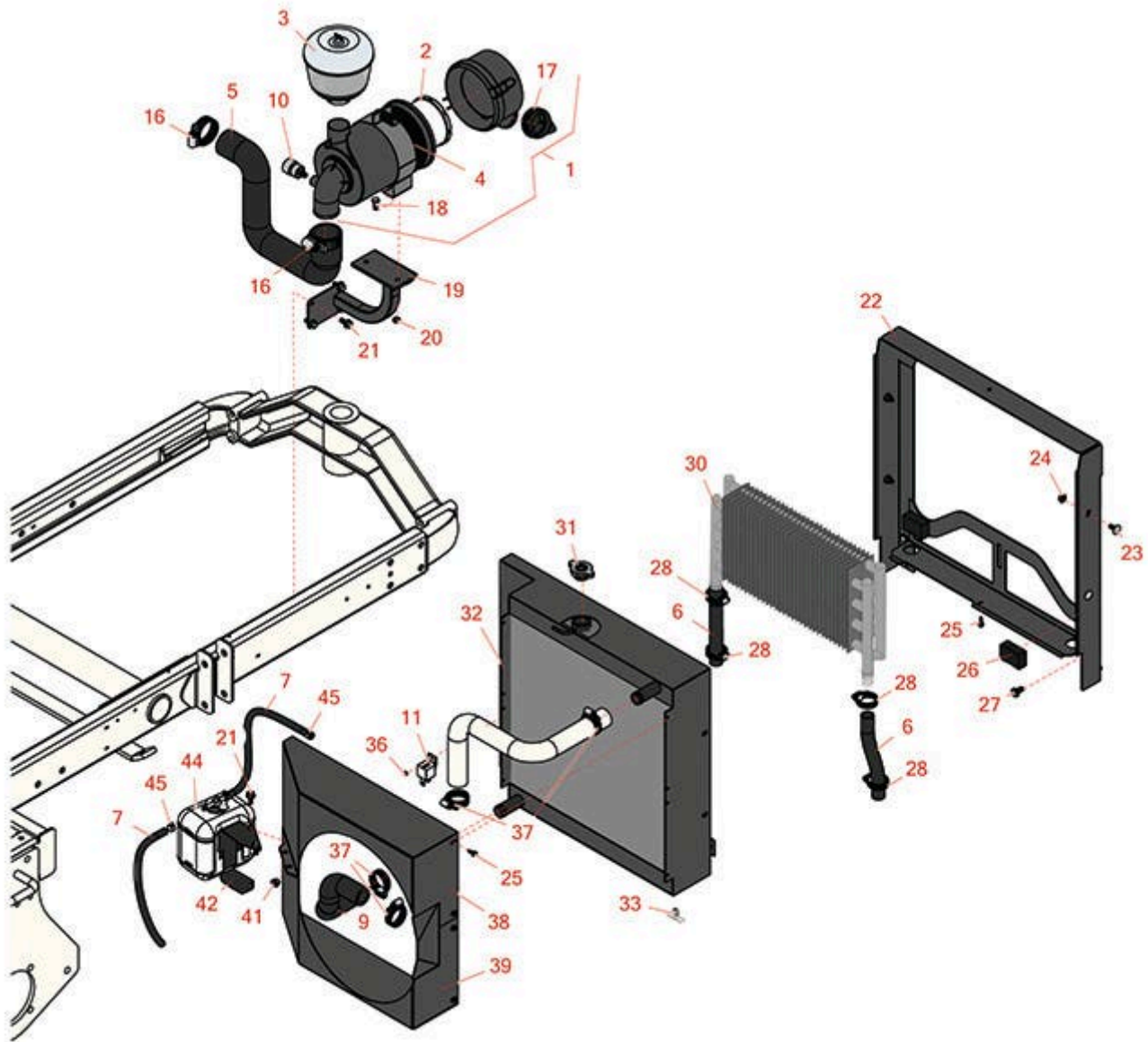


Replaces R&R Products Reel Max 331LP

Parts

Traction Unit

Radiator & Air Intake



All original equipment manufacturers names and part numbers are used for identification purposes only, and we are in no way implying that our products are original equipment parts. Prices subject to change without notice.



Replaces R&R Products Reel Max 331LP

Parts

Traction Unit

Radiator & Air Intake



| Item No | R&R Part No. | OEM Part No. | Description | Qty Req | Order Quantity |
|------------------------------|--------------|--|----------------------------------|---------|----------------|
| Filters | | | | | |
| 1 | R106-5277 | | Air Cleaner Assy | 1 | |
| 2 | R108-3811 | | Element - Air Cleaner | 1 | |
| 3 | R27-7100P | R48-7430 | Pre-Cleaner | 1 | |
| 4 | R100-4825 | | Band-Mounting,-Air Filter | 1 | |
| Hoses | | | | | |
| 5 | R151318 | | Hose - Formed - Air Cleaner | 1 | |
| 6 | R99-3646 | | Hose-Cooler, Oil | 2 | |
| 7 | R63-9640 | | Hose - Fuel | 1 | |
| 9 | R95-8945 | | Hose-Radiator - Lower | 1 | |
| Gauges and Controls | | | | | |
| 10 | R93-9164 | | Indicator - Service - Air Filter | 1 | |
| 11 | R99-7435 | | Relay - 70 Amp | 1 | |
| Other Parts Available | | | | | |
| 16 | RG132 | | Clamp - Hose 1.56-2.5 Box/10 | 1 | |
| 17 | R87-9400 | R94-1414 | Valve - Vacuator | 1 | |
| 18 | R322-3 | R01-150-1420, R01-178-0506, R09109, R20-24-AD, R20-24-AGD, R48-9270, R513339, R908017P, RB311201 | Bolt - Hex HD 5/16-18 x 3/4 | 2 | |
| 19 | R151319 | | Bracket - Air Filter | 1 | |

All original equipment manufacturers names and part numbers are used for identification purposes only, and we are in no way implying that our products are original equipment parts. Prices subject to change without notice.



Replaces R&R Products Reel Max 331LP

Parts

Traction Unit

Radiator & Air Intake



| Item No | R&R Part No. | OEM Part No. | Description | Qty Req | Order Quantity |
|--|---------------------|--|--|---------|----------------|
| 20 | R3296-29 | 3296-29, R1-804256, R915662P | Locknut - 5/16-18 ESNA | 2 | |
| 21 | R3234-5 | R62-3310 | Bolt - 5/16-18x3/4 Hx Ser Was HD | 6 | |
| 22 | R104-4855-03 | | Frame Assy - Radiator | 1 | |
| 23 | R3230-1 | R01-173-0506, R3230-20, R900037P | Bolt - Carriage 5/16-18 x 3/4 | 4 | |
| 24 | R32128-44 | | Nut | 4 | |
| 25 | R32104-116 | | Screw - 12 x 1/2 Sheet Metal HswH | 9 | |
| 26 | R95-8962 | | Seal - Foam - Radiator | 2 | |
| 27 | R3234-1 | | Bolt - Flanged Serrated Hex HD 3/8-16 x 3/4 | 4 | |
| 28 | R2412-129 | R94-3188, R94-3189, R94-3193, R94-3203, R94-3204 | Clamp - Worm 9/16-1 1/4 | 4 | |
| 30 | R150845 | R100-4869 | Oil Cooler | 1 | |
| 31 | R93-5957 | | Cap - Radiator | 1 | |
| 32 | R99-3637 | | Radiator | 1 | |
| 33 | R304-46 | | Draincock | 1 | |
| 36 | R32128-17 | | Nut - Lock - Flange | 1 | |
| 37 | R2412-34 | R31-0120 | Clamp - Hose .75-1.5 | 4 | |
| <i>Detail Description: Stainless steel hose clamp with 5/16" slotted hex head, heat treated carbon steel, plated with zinc plus trivalent chromate for long lasting protection.:</i> | | | | | |
| 38 | R100-4885-03 | | Shroud - Fan - Top | 1 | |

All original equipment manufacturers names and part numbers are used for identification purposes only, and we are in no way implying that our products are original equipment parts. Prices subject to change without notice.



Replaces R&R Products Reel Max 331LP

Parts

Traction Unit

Radiator & Air Intake



| Item No | R&R Part No. | OEM Part No. | Description | Qty Req | Order Quantity |
|---------|---------------------|---|----------------------------|---------|----------------|
| 39 | R110-8798-03 | R100-4898-03 | Shroud - Lower - Fan | 1 | |
| 41 | R445722 | R30-8980, R32128-2, R32128-20 | Nut - Serrated Washer | 2 | |
| 42 | R95-8879-03 | R95-8879 | Bracket - Reservoir | 1 | |
| 44 | RX1G64272400 | R104-9318, R105-3753, R98-9323, R98-9397 | Kubota Tank - Reserve Assy | 1 | |
| 45 | R92-2379 | | Clamp - Hose | 3 | |

All original equipment manufacturers names and part numbers are used for identification purposes only, and we are in no way implying that our products are original equipment parts. Prices subject to change without notice.