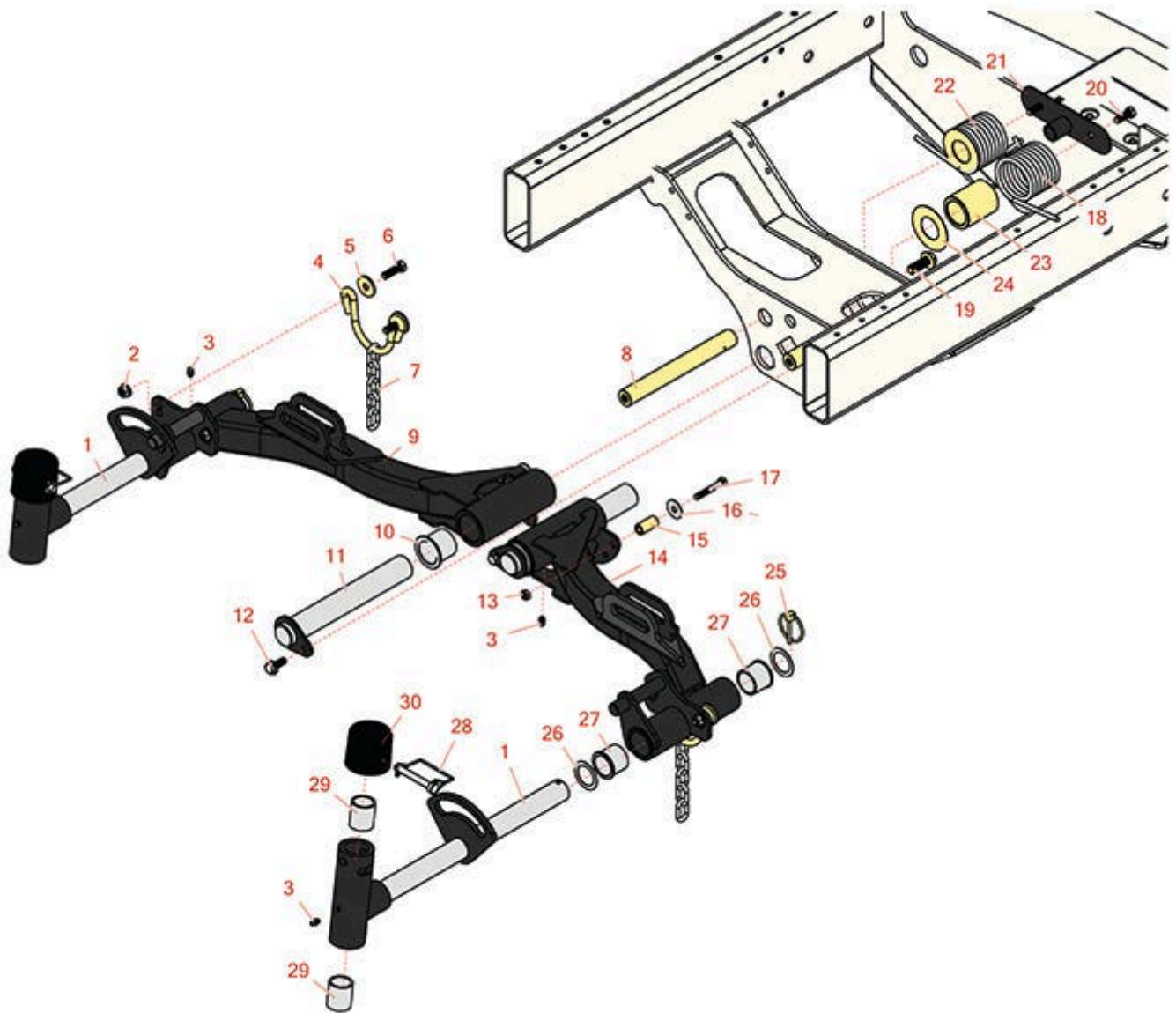




Replaces R&R Products Reel Max 744LP

Parts

*Traction Unit
Rear Lift Arm*



All original equipment manufacturers names and part numbers are used for identification purposes only, and we are in no way implying that our products are original equipment parts. Prices subject to change without notice.



Replaces R&R Products Reel Max 744LP

Parts

Traction Unit

Rear Lift Arm



Item No	R&R Part No.	OEM Part No.	Description	Qty Req	Order Quantity
1	R107-2052	R138-1248	Pivot Yoke Assy	2	
2	R104-8301	R109-6658, R133-7570	Locknut - 3/8-16 Nylon Flanged	4	
3	R302-5	R173-0, R21-6010, R255825, R302-37, R302-47, R302-57, R302-58, R302-6, R31-0300, R32-9660, R471214, R471223, R471226, R60-0800, R62-3880, R92-4181, RJD7797, RJD7842, RJD7844, RM0004, RZS48114-04	Fitting - Grease	6	
4	R110-0922		Hoop - Chain	2	
5	R63-8410	R53-6380, R63-4810	Washer - Isolator Bushing	4	
6	R400264	323-7, R01-150-0180, R01-178-0610, R19H1732, R20-48-AD, R20-48-AGD, R32-9160, R3224-3, R323-29, R323-7, R400264, R908035P	Bolt - Hex HD 3/8-16 x 1-1/4	4	

All original equipment manufacturers names and part numbers are used for identification purposes only, and we are in no way implying that our products are original equipment parts. Prices subject to change without notice.



Replaces R&R Products Reel Max 744LP

Parts

*Traction Unit
Rear Lift Arm*



Item No	R&R Part No.	OEM Part No.	Description	Qty Req	Order Quantity
7	R84-2451	84-2451	Chain - Straight 5	6	
8	R107-2077		Pin - Cylinder	2	
9	R110-0993		Lift Arm - No. 3	1	
10	R69-6470		Bushing - Flanged	4	
11	R107-2062		Pin Assy	2	
12	R32144-14	R32104-32, R32104-49	Bolt - Hex Washer 5/16-18 x 5/8	2	
13	R3296-29	3296-29, R1-804256, R915662P	Locknut - 5/16-18 ESNA	2	
14	R110-0992		Lift Arm - No. 2	1	
15	R103-0384		Spacer	2	
16	R3256-35		Washer - Flat	2	
17	R322-10	R20-30-AD, R24-7180, R3223-6, R513347	Bolt - Hex HD 5/16-18 x 2	2	
18	R99-5609-03	R99-5609	Spring-Torsion, LH	1	
19	R3234-38		Bolt - Flanged Hex 1/2-13 x 1-1/4	2	
20	R3234-11		Bolt - Hex Washer HD	2	
21	R110-8874-03		Catch Assy	1	
22	R99-5608-03	R99-5608	Spring-Torsion, RH	1	
23	R110-5339		Spacer	2	
24	R110-5345		Washer	2	
25	R92-1298		Pin - Klik	2	

All original equipment manufacturers names and part numbers are used for identification purposes only, and we are in no way implying that our products are original equipment parts. Prices subject to change without notice.



Replaces R&R Products Reel Max 744LP

Parts

Traction Unit

Rear Lift Arm



Item No	R&R Part No.	OEM Part No.	Description	Qty Req	Order Quantity
26	R76-2980		Washer - Thrust	4	
27	R104-0015	R104-8339	Bushing - Flanged	4	
28	R107-7400		Pin - Lynch	2	
29	R256-254		Bushing 1-1/8 x 1.375 x 1.5	4	
30	R107-4027		Cap - Pivot Yoke	2	

All original equipment manufacturers names and part numbers are used for identification purposes only, and we are in no way implying that our products are original equipment parts. Prices subject to change without notice.