

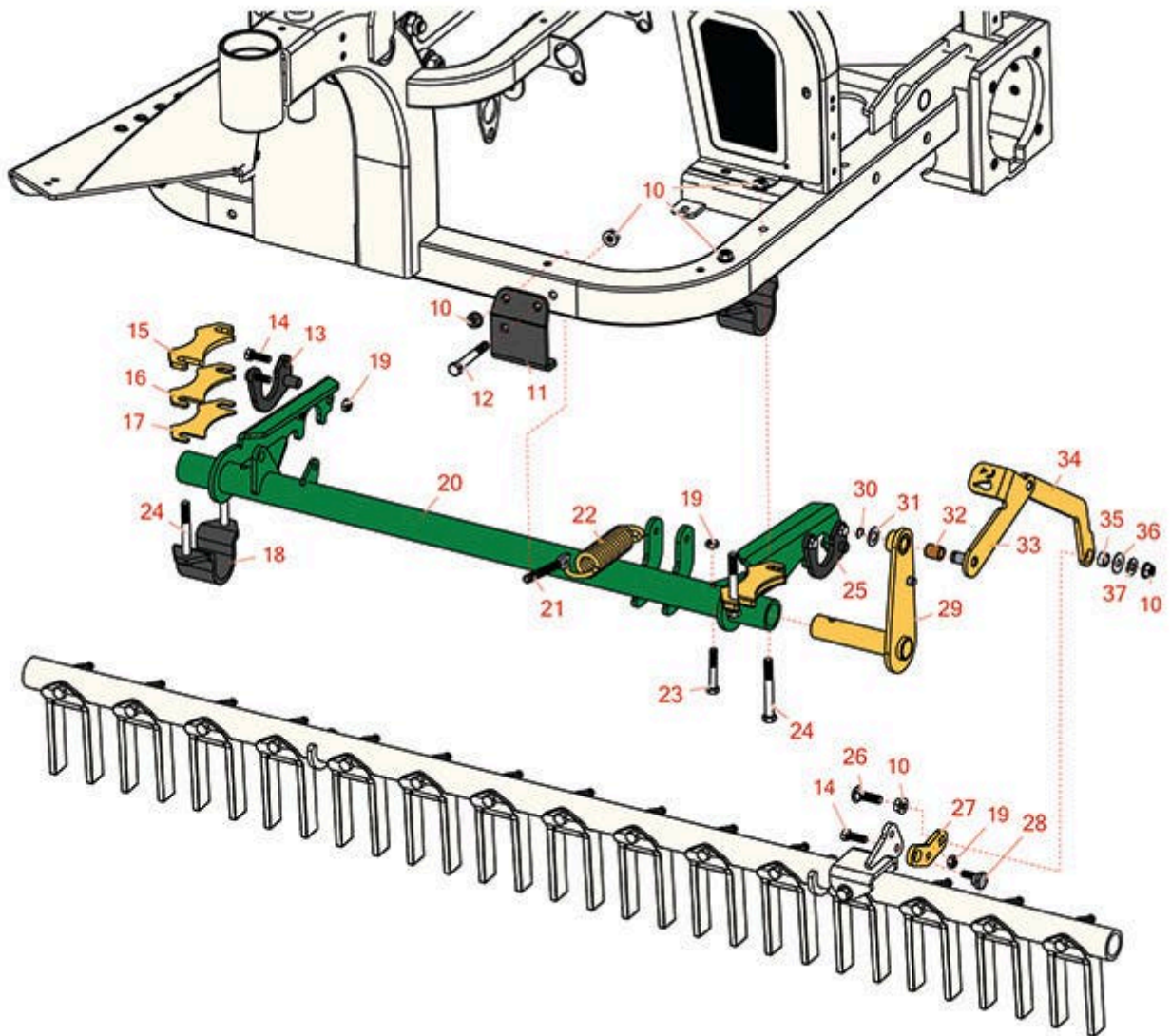


# Replaces R&R Products Sand Max 518

## Parts

Attachments

Midmount Toolbar



All original equipment manufacturers names and part numbers are used for identification purposes only, and we are in no way implying that our products are original equipment parts. Prices subject to change without notice.



# Replaces R&R Products Sand Max 518

## Parts

Attachments

Midmount Toolbar



Item No	R&R Part No.	OEM Part No.	Description	Qty Req	Order Quantity
10	<b>R3296-39</b>	3296-39, R32127-25, R32128-36, R3296-17, R3296-22, R915663P, R99-7443	Locknut - 3/8-16 Nylon	8	
11	<b>R110-3336-03</b>		Bracket-Spring	1	
12	<b>R323-13</b>	R01-150-1020, R01-178-0622, R20-54-AD, R20-54-AGD, R513366	Bolt - Hex HD 3/8-16 x 2-3/4 GR5	1	
13	<b>R108-4528</b>		RH Saddle Assy	1	
14	<b>R322-5</b>	322-5, R01-178-0508, R19H1905, R20-26-AD, R20-26-AGD, R30-9000, R400188, R513341, R519755, R908019P	Bolt - Hex HD 5/16-18 x 1	5	
15	<b>R110-7380</b>		Shim - Midmount - 1/4	2	
16	<b>R110-7381</b>		Shim-Midmount, 10	2	
17	<b>R110-7379</b>		Shim-Midmount, 14	2	
18	<b>R110-8166</b>		Bracket-Tube - Pivot	2	
19	<b>R3296-29</b>	3296-29, R1-804256, R915662P	Locknut - 5/16-18 ESNA	10	
20	<b>R108-4511G</b>		Tube Assy - Green	1	
21	<b>R108-5413</b>		Rod-Spring	1	

All original equipment manufacturers names and part numbers are used for identification purposes only, and we are in no way implying that our products are original equipment parts. Prices subject to change without notice.



# Replaces R&R Products Sand Max 518

## Parts

Attachments

Midmount Toolbar



Item No	R&R Part No.	OEM Part No.	Description	Qty Req	Order Quantity
22	<b>R108-5412</b>		Spring - Extension	1	
23	<b>R322-10</b>	R20-30-AD, R24-7180, R3223-6, R513347	Bolt - Hex HD 5/16-18 x 2	1	
24	<b>R323-14</b>	323-14, R01-150-0840, R01-178-0624, R20-55-AD, R21-196-AMD, R30-8750, R30-8970, R3224-10	Bolt - Hex HD 3/8-16 x 3	4	
25	<b>R108-4530</b>		Saddle Assy - LH	1	
26	<b>R3231-25</b>	R01-173-0610, R30-9970, R3231-3, R900064P	Bolt - Carriage 3/8-16 x 1-1/4	1	
27	<b>R112-7150</b>		Tab - Pivot	1	
28	<b>R112-7152</b>		Bolt-Eccentric	1	
29	<b>R112-6474</b>		Lever Assy	1	
30	<b>R458006</b>	R32151-61	Ring - Retaining	2	
31	<b>R98-1629</b>		Washer	1	
32	<b>RP44946</b>	R256-172	Bushing - Bronze	1	
33	<b>R112-6490</b>		Lever Assy	1	
34	<b>R112-6487-03</b>		Link-Toolbar	1	
35	<b>R114127</b>		Spacer	1	
36	<b>R108-0015</b>		Washer - Flat	1	

All original equipment manufacturers names and part numbers are used for identification purposes only, and we are in no way implying that our products are original equipment parts. Prices subject to change without notice.



# Replaces R&R Products Sand Max 518

## Parts

Attachments

Midmount Toolbar



Item No	R&R Part No.	OEM Part No.	Description	Qty Req	Order Quantity
37	<b>R453011</b>	3256-24, 453011, R01-166-0100, R01-166-0120, R01-166-0270, R01-166-0500, R01-166-0600, R01-166-0620, R132-4593, R237-12, R24-10-AD, R24-11-AD, R24-11-BD, R24-12-AD, R24-12-BD, R30-9310, R32-8190, R3256-24, R3256-3, R3256-36, R3256-4, R47-9950	Washer - Flat 3/8 SAE Y/Zinc	1	

All original equipment manufacturers names and part numbers are used for identification purposes only, and we are in no way implying that our products are original equipment parts. Prices subject to change without notice.