

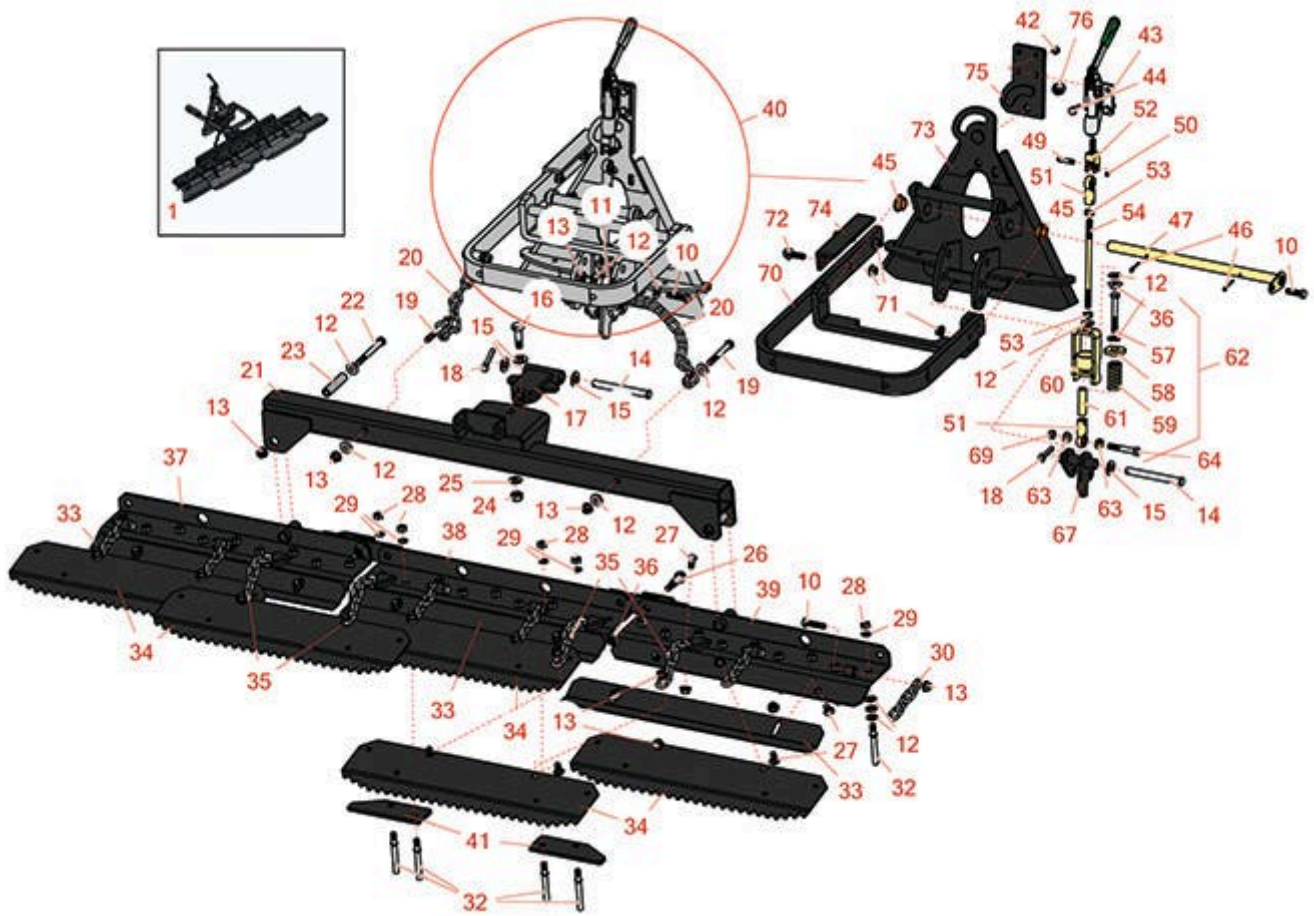


Replaces R&R Products Sand Max 521LP

Parts

Attachments

Fast Attach Tooth Rake



All original equipment manufacturers names and part numbers are used for identification purposes only, and we are in no way implying that our products are original equipment parts. Prices subject to change without notice.



Replaces R&R Products Sand Max 521LP

Parts

Attachments

Fast Attach Tooth Rake



Item No	R&R Part No.	OEM Part No.	Description	Qty Req	Order Quantity
---------	--------------	--------------	-------------	---------	----------------

Complete Tooth Rake Assembly

1	R151080	R08751	Tooth Rake with Fast Connect Hitch	0	
---	----------------	--------	------------------------------------	---	--

Detail Description: The Tooth Rake attachment with Fast Connect Hitch may be used in wet or dry conditions to quickly scarify, smooth and groom. 72" (193cm) width, 5 rake sections, 27 adjustable prongs.:

Other Parts Available

10	R400264	323-7, R01-150-0180, R01-178-0610, R19H1732, R20-48-AD, R20-48-AGD, R32-9160, R3224-3, R323-29, R323-7, R400264, R908035P	Bolt - Hex HD 3/8-16 x 1-1/4	8	
----	----------------	--	------------------------------	---	--

11	R98-8895		Spacer	2	
----	-----------------	--	--------	---	--

12	R453009	3256-3, R01-166-0400, R24-10-BD, R24-9-AD, R24H1136, R32-9650, R3256-2, R3256-23, R3256-67, R3290-217, R3556-3, R4-2390, R452006, R7-0152	Washer - Flat 5/16 SAE	10	
----	----------------	--	------------------------	----	--

13	R32128-21	32128-21	Locknut - Flanged 3/8-16 Whiz Top Lock	32	
----	------------------	----------	--	----	--

All original equipment manufacturers names and part numbers are used for identification purposes only, and we are in no way implying that our products are original equipment parts. Prices subject to change without notice.



Replaces R&R Products Sand Max 521LP

Parts

Attachments

Fast Attach Tooth Rake



Item No	R&R Part No.	OEM Part No.	Description	Qty Req	Order Quantity
14	R283-83	283-83, R42194, R93-5343	Pin - Clevis	1	
15	R3256-26	3256-26, R01-166-0540, R01-166-0820, R17-2530, R24-13-BD, R30-8570, R356206, R48-9390	Washer - 1/2 in	3	
16	R80-2050	80-2050	Bolt - Shoulder	1	
17	R114-0641-03	R112-7100-03	Pivot Assy	1	
18	R3272-11	R01-151-0010, R01-151-0040, R28-18-D, R28-28-D, R3211-72	Pin - Cotter	1	
19	R323-14	323-14, R01-150-0840, R01-178-0624, R20-55-AD, R21-196-AMD, R30-8750, R30-8970, R3224-10	Bolt - Hex HD 3/8-16 x 3	2	
20	R110-1364		Chain - Proof - 12 Links	2	
21	R108-2941-03		Hanger Assy	1	
22	R323-15	R01-150-1460, R01-178-0628	Bolt - Hex HD 3/8-16 x 3-1/2 GR5	2	
23	R84-2350	84-2350	Spacer - Rake Frame	2	
24	R3296-48	3296-48, R119-4039, R32146-7, R3296-34	Locknut - 7/16-14 ESNA	1	

All original equipment manufacturers names and part numbers are used for identification purposes only, and we are in no way implying that our products are original equipment parts. Prices subject to change without notice.



Replaces R&R Products Sand Max 521LP

Parts

Attachments

Fast Attach Tooth Rake



Item No	R&R Part No.	OEM Part No.	Description	Qty Req	Order Quantity
25	R187-0	3256-25, R3256-25, R7-0032	Washer - Flat 7/16 SAE	1	
26	R66-0561	66-0561	Screw - Shoulder	2	
27	R3231-22	R900234P	Bolt - Carriage 3/8-16 x 1	20	
28	R3217-7	3217-7, R01-188-0616, R1441, R14H1076, R22-13-AJD, R513296, R513415, R513425, R915113P	Nut - 3/8-16 Hex Plated	27	
29	R3253-21	3253-21, R215-51, R30-8470, R7-1912, RMT3949	Washer - Lock 3/8	27	
30	R84-2450	84-2450	Chain - Straight 4	6	
32	R88-8450	88-8450, RTCU20088	Tooth - Rake 3-3/8 Oal	27	
33	R84-2550-03	84-2550, 84-2550-03, R84-2550	Trowel - Smooth	3	
34	R84-2280	84-2280, 84-2280-03, R84-2280-01, R84-2280-03	Rake - Finishing	5	
35	R84-2451	84-2451	Chain - Straight 5	4	
36	R32128-12		Locknut - 3/8-24 Flanged Top Lock	2	

All original equipment manufacturers names and part numbers are used for identification purposes only, and we are in no way implying that our products are original equipment parts. Prices subject to change without notice.



Replaces R&R Products Sand Max 521LP

Parts

Attachments

Fast Attach Tooth Rake



Item No	R&R Part No.	OEM Part No.	Description	Qty Req	Order Quantity
37	R84-2360-03	84-2360, 84-2360-03, R84-2360	Plate - LH Trowel	1	
38	R84-2390-03	84-2390, 84-2390-03, R84-2390	Plate - Center Trowel	1	
39	R84-2400-03	84-2400, 84-2400-03, R84-2400	Plate - RH Trowel	1	
40	R151076		Hitch Assy - Rear - Triangular - Fits Tooth Rake	1	
41	R88-8440-03	88-8440-03, R256-289	Plate - Tipper	2	
42	R32153-3	R119-4038, R22-12-AJFD, R32127-35, R32146-5, R3296-18, R3296-31, RJ317000	Locknut - 5/16-18 ESNA Zinc	4	
43	R151071		Clamp - Toggle	1	
44	R322-5	322-5, R01-178-0508, R19H1905, R20-26-AD, R20-26-AGD, R30-9000, R400188, R513341, R519755, R908019P	Bolt - Hex HD 5/16-18 x 1	4	
45	R27-9080		Bearing - Flanged	2	
46	R3272-17	R28-26-C, R28-26-D, R30-1230	Pin-Cotter	3	

All original equipment manufacturers names and part numbers are used for identification purposes only, and we are in no way implying that our products are original equipment parts. Prices subject to change without notice.



Replaces R&R Products Sand Max 521LP

Parts

Attachments

Fast Attach Tooth Rake



Item No	R&R Part No.	OEM Part No.	Description	Qty Req	Order Quantity
47	R110-3362		Pivot Bar Assy	1	
49	R283-61	R86-2140	Pin - Clevis 5/16 x 1-1/8	1	
50	R3272-10	R01-151-0120	Pin - Cotter 1/8 x 3/4	1	
51	R92-7008		Rod End - Female	2	
52	R151072		Adapter - Link Assy	1	
53	R3220-3	R01-191-0624, R3290-149	Nut - Jam Ball Joint	2	
54	R110-8108		Rod - Link	1	
57	R3211-12		Bolt - Hx HD 3/8-24	1	
58	R110-8114		Washer	1	
59	R66-7230		Spring - Compression	1	
60	R110-8111-01		Yoke Assy	1	
61	R110-8110		Spacer	1	
62	R151075		Link Assy - Fast Connect Hitch	1	
63	R110-8116		Spacer - Link	2	
64	R323-11	R01-150-1440, R01-178-0618, R20-52-AD, R3224-7	Bolt - 3/8-16 x 2 1/4 GR5	1	
67	R110-8154		Latch Assy	1	
69	R3296-44		Nut - 3/8-16 Heavy Jam ESNA Lock	1	
70	R112-1408		Lift Arm Assy	1	
71	R104-8301	R109-6658, R133-7570	Locknut - 3/8-16 Nylon Flanged	3	

All original equipment manufacturers names and part numbers are used for identification purposes only, and we are in no way implying that our products are original equipment parts. Prices subject to change without notice.



Replaces R&R Products Sand Max 521LP Parts

Attachments

Fast Attach Tooth Rake



Item No	R&R Part No.	OEM Part No.	Description	Qty Req	Order Quantity
72	R3234-24	R3234-8, R66-9301	Bolt - Hex Ser Was HD 3/8-16 x 1-1/4	2	
73	R112-1403		Adapter Assy - Fast Connect Assy	1	
74	R115-2090		Pad - Wear	1	
75	R151073		Adapter Plate	1	
76	RF5003	3296-23, R32127-29, R32131-5, R32132-5, R3296-23, R64229-05, RZS04021-07	Locknut - ESNA 1/2-13	1	

All original equipment manufacturers names and part numbers are used for identification purposes only, and we are in no way implying that our products are original equipment parts. Prices subject to change without notice.