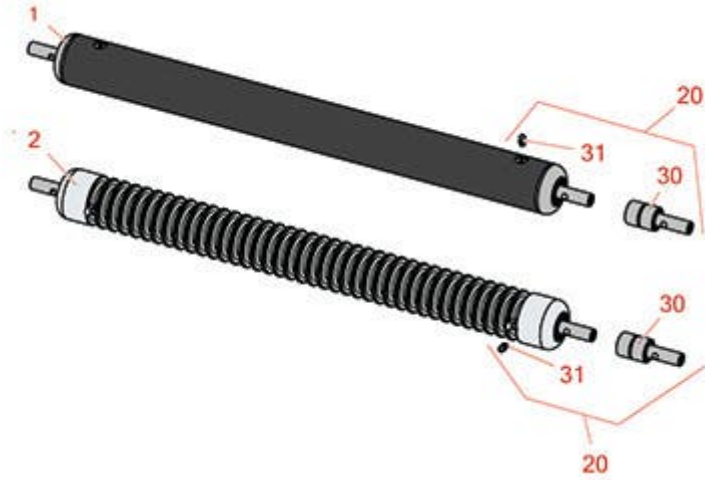




# Replaces Toro Greensmaster 1600 Parts

Mower - Model 04060

Front Rollers



All original equipment manufacturers names and part numbers are used for identification purposes only, and we are in no way implying that our products are original equipment parts. Prices subject to change without notice.



# Replaces Toro Greensmaster 1600 Parts

Mower - Model 04060

Front Rollers



Item No	R&R Part No.	OEM Part No.	Description	Qty Req	Order Quantity
---------	--------------	--------------	-------------	---------	----------------

## R&R Rollers

1	<b>R95-0930</b>	95-0930	Roller - Smooth Tubular Steel	0
---	-----------------	---------	-------------------------------	---

*Detail Description: This tubular steel roller uses greasable "water-pump" style bearings. :*

2	<b>R93-9039</b>	93-9039	Roller - Grooved Machined Solid Aluminum	0
---	-----------------	---------	--	---

*Detail Description: Machined from solid aluminum, this light weight roller uses greasable "water-pump" style bearings.:*

## Overhaul Kits

20	<b>R107-1588</b>	107-1588	Overhaul Kit - Roller	0
----	------------------	----------	-----------------------	---

*Detail Description: Includes 2 ea.: R302-5 Grease Fittings & R52-3180 Bearings:*

## Other Parts Available

30	<b>R52-3180</b>	21-6410, 52-3180	Bearing - Front Roller	2
----	-----------------	---------------------	------------------------	---

31	<b>R302-5</b>	21-6010, 302-11, 302-37, 302-47, 302-5, 302-57, 302-58, 302-6, 31-0300, 32-9660, 60-0800, 62-3880, 92-4181	Fitting - Grease	2
----	---------------	--	------------------	---

All original equipment manufacturers names and part numbers are used for identification purposes only, and we are in no way implying that our products are original equipment parts. Prices subject to change without notice.