

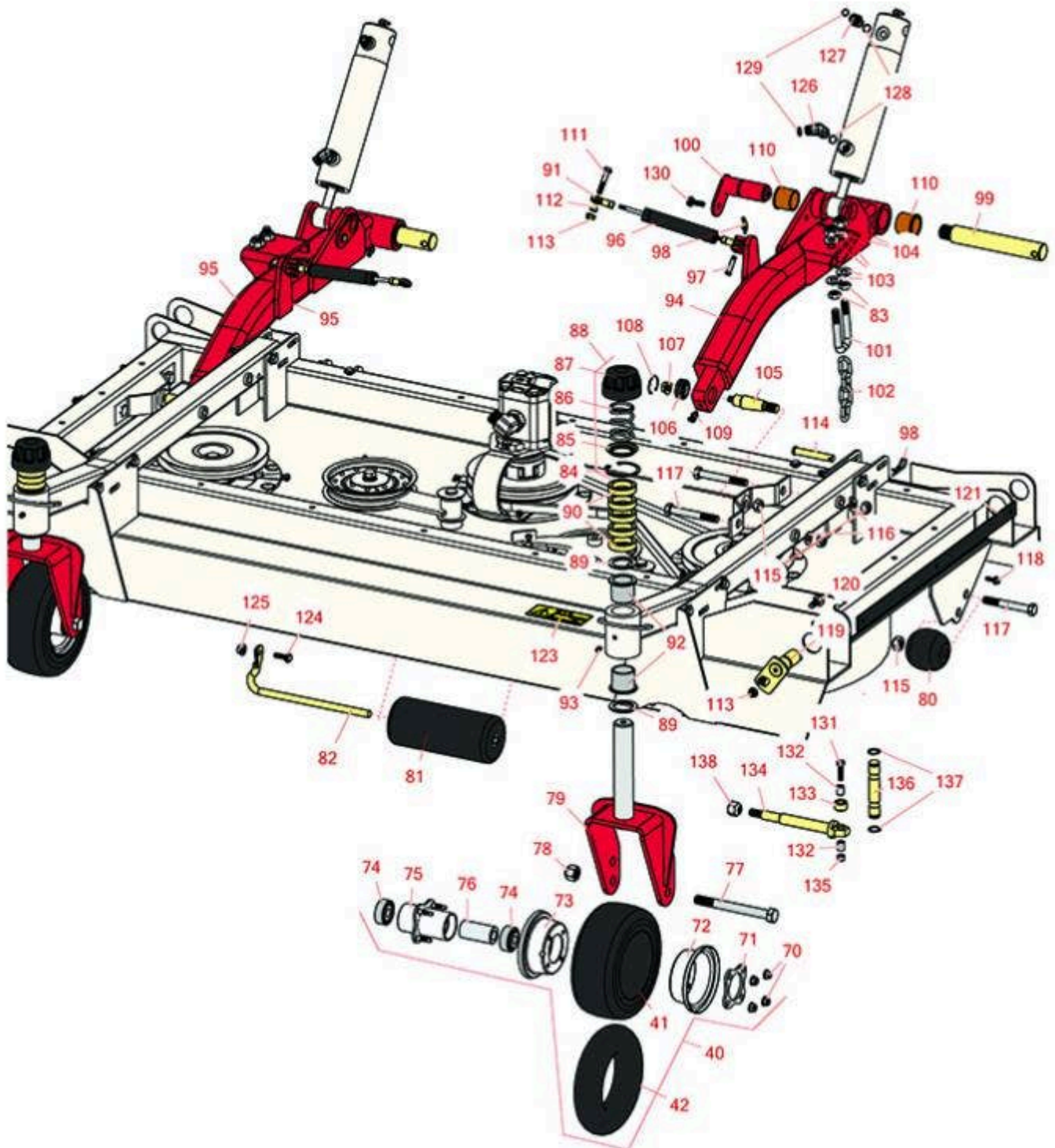


Replaces Toro Groundsmaster 4100-D

Parts

Rotary Mower - Model 30413

Front Deck Lift Arms



All original equipment manufacturers names and part numbers are used for identification purposes only, and we are in no way implying that our products are original equipment parts. Prices subject to change without notice.



Replaces Toro Groundsmaster 4100-D Parts

Rotary Mower - Model 30413
Front Deck Lift Arms



Item No	R&R Part No.	OEM Part No.	Description	Qty Req	Order Quantity
Tires & Wheels					
40	R93-9938	86-0020, 93-9938	Wheel Assy - Castor - Pneu 8x3.50-4	6	
41	R93-9939	93-9939, 98-2877	Tire - 8x3.50-4 (4 Ply) Sm Pneu	1	
41	R150615	136-4424	Tire - Foam Filled 8-3.5 x 4 Sm 4 Ply	1	
42	R68-8950	68-8950	Tube - Castor Wheel 9x3.50-4 TR87	1	
70	R32128-16	32128-16	Locknut - 5/16-24 Flanged Top	8	
71	R93-4242	93-4242	Plate - Caster Wheel	2	
72	R95-2741	137-5552, 95-2741	Rim - Wheel Half w/o Valve Hole	2	
73	R93-4239	93-4239	Rim - Wheel Half w/Valve Hole	2	
74	R93-4237	93-4237	Bearing	4	
75	R93-5980	93-4238, 93-5980	Hub Assy - w/o Bearings/Spacer	2	
76	R93-4241	93-4241	Spacer - Caster Wheel	2	
77	R327-24	327-24	Bolt - Hex HD 5/8-11 x 6	2	
78	R3296-53	3296-53	Locknut - 5/8-11 ESNA Yellow	4	
79	R92-7750-01	86-2410, 92-7750, 92-7750-01	Fork - Castor	2	
80	R29-4820	29-4820	Roller	2	
81	R68-6710	68-6710	Roller - Rotary Deck	1	
82	R68-6840	68-6840	Shaft - Roller	1	

All original equipment manufacturers names and part numbers are used for identification purposes only, and we are in no way implying that our products are original equipment parts. Prices subject to change without notice.



Replaces Toro Groundsmaster 4100-D Parts

Rotary Mower - Model 30413
Front Deck Lift Arms



Item No	R&R Part No.	OEM Part No.	Description	Qty Req	Order Quantity
83	R443118	01-188-0813, 22-15-AJD, 3217-9	Nut - 1/2-13 Zinc	4	
84	R92-5581	92-5581	Ring - Retaining	2	
85	R92-5583	92-5583	Washer- Cap	2	
86	R92-9726	92-9726	Spring - Compression	2	
87	R92-8861	92-5582, 92-8861	Cap - HOC	2	
88	R92-9727	92-9727	Cap Assy - HOC	2	
89	R69-6860	69-6860	Washer - 1/8 - Caster Wheel	2	
90	R69-1510	69-1510	Spacer - 1/2 Caster Fork	10	
91	R104-8331	104-8331	Rod End - Spherical	4	
92	R69-6470	69-6470	Bushing - Flanged	4	
93	R302-5	21-6010, 302-11, 302-37, 302-47, 302-5, 302-57, 302-58, 302-6, 31-0300, 32-9660, 60-0800, 62-3880, 92-4181	Fitting - Grease	2	
94	R105-7346	105-7346	LH Arm Assy	1	
95	R105-7345	105-7345	RH Arm Assy	1	
96	R105-3249	104-7512, 105-3249	Damper	2	

All original equipment manufacturers names and part numbers are used for identification purposes only, and we are in no way implying that our products are original equipment parts. Prices subject to change without notice.



Replaces Toro Groundsmaster 4100-D Parts

Rotary Mower - Model 30413
Front Deck Lift Arms



Item No	R&R Part No.	OEM Part No.	Description	Qty Req	Order Quantity
97	R283-6	283-6, 30-8920	Clevis Pin - 5/16 x 1 1/4	2	
98	R3290-467	3290-467	Pin-Hair	4	
99	R100-3017	100-3017	Pin - Lift Arm	2	
100	R105-7325	105-7325	Pin Assy	2	
101	R104-0108	104-0108	U-Bolt	2	
102	R95-6231	95-6231	Chain - HOC	2	
103	R3256-26	01-166-0540, 01-166-0820, 17-2530, 24-13-BD, 30-8570, 3256-26, 356206, 48-9390	Washer - 1/2 in	8	
104	R3296-25	30-3380, 32127-21, 32127-31, 3290-160, 3290-33, 3296-13, 3296-25, 3296-45, 329645	Locknut - 1/2-13 Heavy ESNA	4	
105	R105-7468	105-7468	Stud- Tapered	2	
106	R105-7441	105-7441	Bearing - Spherical	2	
107	R32128-42	32128-42	Nut-HF	2	
108	R458461	32151-34	Snap Ring	2	
109	R700414	302-11, 302-19, 302-4, 32-8170	Zerk - Grease 1/4-28 45 Deg	6	

All original equipment manufacturers names and part numbers are used for identification purposes only, and we are in no way implying that our products are original equipment parts. Prices subject to change without notice.



Replaces Toro Groundsmaster 4100-D Parts

*Rotary Mower - Model 30413
Front Deck Lift Arms*



Item No	R&R Part No.	OEM Part No.	Description	Qty Req	Order Quantity
110	R104-0015	104-0015, 104-8339	Bushing - Flanged	4	
111	R19H3130	322-9, 3223-5	Bolt - Hex HD 5/16-18 x 1-3/4	2	
112	R92-6998	92-6998	Spacer-Yoke, Right	2	
113	R104-8300	104-8300, 104-8300, 119-4041	Locknut - 5/16-18 Flanged Y/Zinc	4	
114	R283-55	283-55	Clevis Pin - 1/2 x 3	2	
115	R3296-41	32146-19, 3296-41, Mar-74	Locknut - 5/8-18 Nyl Ins Gr 8	6	
116	R187-0	3256-25, 7-0032	Washer - Flat 7/16 SAE	4	
117	R325-17	01-150-0640, 01-150-0850, 01-178-0832, 01-178-0836, 20-97-AGD, 325-17, 325-18, 48-9260	Bolt - Hex Head	5	
118	R49-2040	32104-42, 32104-95, 32144-44, 49-2040	Bolt - Hex Washer 1/4-20 x 3/4	12	
119	R106-7171	106-7171, 84-1350	Pin Pivot Assy	2	

All original equipment manufacturers names and part numbers are used for identification purposes only, and we are in no way implying that our products are original equipment parts. Prices subject to change without notice.



Replaces Toro Groundsmaster 4100-D Parts

Rotary Mower - Model 30413
Front Deck Lift Arms



Item No	R&R Part No.	OEM Part No.	Description	Qty Req	Order Quantity
120	R3230-2	01-173-0508, 25-25-AGD, 3230-16, 3230-2, 513624, 513633, 513635, 900038P	Bolt - Carriage	4	
121	R107-0170-03	107-0170-03	Strap - Wing	1	
123	R93-7818	93-7818	Decal - Blade Torque	2	
124	R3234-11	3234-11	Bolt - Hex Washer HD	1	
125	R104-8301	104-8301, 104-9301, 109-6658, 133-7570	Locknut - 3/8-16 Nylon Flanged	1	
126	R340-77	340-100, 340-77, 95-7889	Hydraulic Fitting	2	
127	R340-2	340-2, 60-1920	Hydraulic Fitting - Striaight	2	
128	R237-42	237-42, 31-4160	O-Ring	2	
129	R237-22	107-8844, 237-22, 237-78	O-Ring	2	
130	R3234-29	3234-17, 3234-29	Bolt - 5/16-18x1 Serr Hex	2	
131	R400190	01-150-0720, 01-178-0510, 30-8680, 322-6, 513343	Bolt - Hex HD 5/16-18 x 1-1/4 GR5	1	
132	R86-2090	86-2090	Bushing 5/16 ID x 1/2 OD x 5/8 L	4	

All original equipment manufacturers names and part numbers are used for identification purposes only, and we are in no way implying that our products are original equipment parts. Prices subject to change without notice.



Replaces Toro Groundsmaster 4100-D Parts

*Rotary Mower - Model 30413
Front Deck Lift Arms*



Item No	R&R Part No.	OEM Part No.	Description	Qty Req	Order Quantity
133	R86-2120	86-2120	Roller - Lock	2	
134	R106-4317	106-4317	Support - Spring	2	
135	R3296-47	3296-47	Locknut - 5/16-18 Jam Nyloc	2	
136	R105-7482	105-7482	Pin-Latch	2	
137	R32120-93	32120-93	Snap Ring - HD	4	
138	R242-50	242-50	Nut - 1/2-20 Wheel	2	

All original equipment manufacturers names and part numbers are used for identification purposes only, and we are in no way implying that our products are original equipment parts. Prices subject to change without notice.